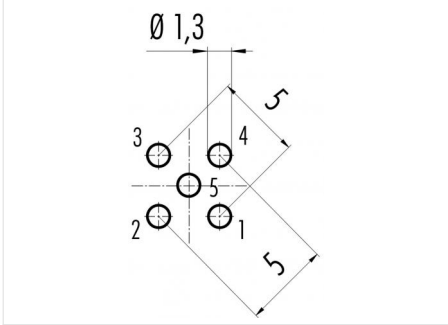


| | |
|---------------------|---|
| Product description | M12-A female panel mount connector, Contacts: 5, not shielded, dip-solder, IP68, UL, M16x1.5 |
| Area | M12-A series 713 |
| Order number | 86 0232 0000 00005 |

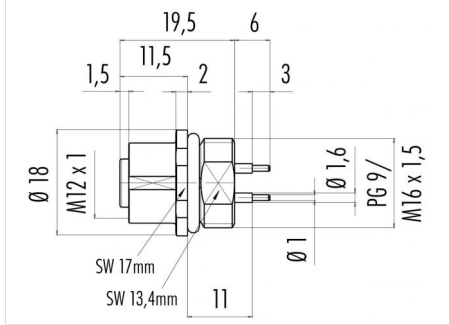
Illustration



Conductor layout



Scale drawing



Contact arrangement (Plug-in side)

| | X | Y |
|---|-------|-------|
| 1 | -2,50 | 0,00 |
| 2 | 0,00 | 2,50 |
| 3 | 2,50 | 0,00 |
| 4 | 0,00 | -2,50 |
| 5 | 0,00 | 0,00 |

You can find the assembly instructions on the next page.

Technical data

General values

| | |
|--------------------------|------------------------------|
| Connector design | female panel mount connector |
| Connector locking system | screw |
| Termination | dip-solder |
| Upper limit temperature | 85 °C |
| Lower limit temperature | - 40 °C |
| Customs tariff number | 85369010 |
| Packaging Unit | 20 |

Cable data

| | |
|------------|----|
| Approval 1 | UL |
|------------|----|

Electrical values

| | |
|---------------------------|---------------------|
| Rated current (40 °C) | 4 A (3 A UL) |
| Rated voltage | 60 V |
| Rated voltage UL | 125 |
| Rated impulse voltage | 1500 V |
| Pollution degree | 3 |
| Overvoltage category | II |
| Insulating material group | III |
| Insulation resistance | > 10 ⁸ Ω |
| EMC compliance | not shielded |
| Degree of protection | IP68 |
| Mechanical operation | > 100 Mating cycles |

Material

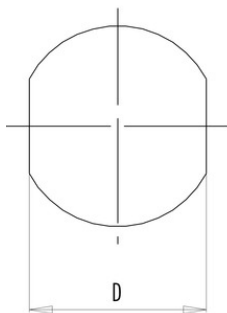
| | |
|-----------------------|-----------------------------|
| Contact material | CuSn (bronze) |
| Contact plating | Au (gold) |
| Contact body material | PA |
| Housing material | Zinc die-cast nickel-plated |
| REACH SVHC | CAS 7439-92-1 (Lead) |

Product description **M12-A female panel mount connector, Contacts: 5, not shielded, dip-solder, IP68, UL, M16x1.5**

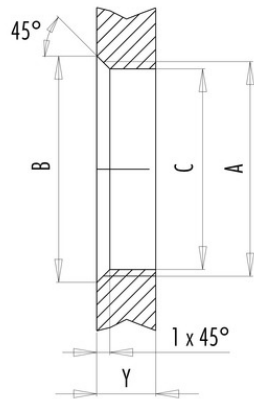
Area **M12-A series 713**
 Order number **86 0232 0000 00005**

Assembly instructions / Panel cut-out

With flats as anti-rotation device



With bore hole



Installation direction:
o-ring sits on chamfer.

| Thread | Measures | | | Tightening torque | |
|-----------|----------|--------|--------|--------------------------------------|--|
| | B (mm) | C (mm) | D (mm) | Metal housing/ Positioning sleeve | Plastic housing/ Positioning sleeve |
| PG 9 | 16,2 | 15,3 | 13,5 | 1,25 Nm | 1,25 Nm |
| PG 11 | 20,2 | 18,7 | 17,0 | 2 Nm | – |
| PG 13,5 | 21,5 | 20,5 | – | 2 Nm | – |
| M12 x 0,5 | – | 12,1 | – | – | 0,4 Nm |
| M12 x 1 | – | 12,2 | – | 1 Nm | – |
| M14 x 1 | 15,2 | 14,2 | – | 1,25 Nm | – |
| M16 x 1,5 | 17,0 | 16,1 | 13,5 | 1,25 Nm | 1,25 Nm |
| M20 x 1,5 | 21,0 | 20,1 | – | 2 Nm | 1,25 Nm |

| Version | Thickness of wall Y (mm) | |
|------------------------------------|------------------------------------|----------|
| | min (mm) | max (mm) |
| Fastened from back side | 2 | 3,5 |
| Front fastened | 2 | 4,5 |
| Positioning possible ¹⁾ | 2 | 3,5 |
| Screw clamp | 2 | 3,5 |
| Thread M12 x 1 | 2 | 3,0 |
| Thread M14 x 1 ²⁾ | ³⁾ 1,5/ ⁴⁾ 2 | 6,5 |

Notes

- ¹⁾ Do not attach a chamfer
- ²⁾ Wall thickness:
use locknut 01-5385
up to 1,5 mm,
>1,5 mm cut thread
- ³⁾ Nut
- ⁴⁾ Thread in wall of housing

| | |
|---------------------|---|
| Product description | M12-A female panel mount connector, Contacts: 5, not shielded, dip-solder, IP68, UL, M16x1.5 |
| Area | M12-A series 713 |
| Order number | 86 0232 0000 00005 |

Security notices

The connectors are designed for use in plant, control system and electrical equipment. The end user is responsible for checking whether the connectors are suitable for use in other applications. Connectors with degree of protection IP 67 and IP 68 are not suitable for use under water. When used outdoors, the connectors must be separately protected against corrosion. For further information about IP degrees of protection refer to 'Technical support' in the Download Centre.